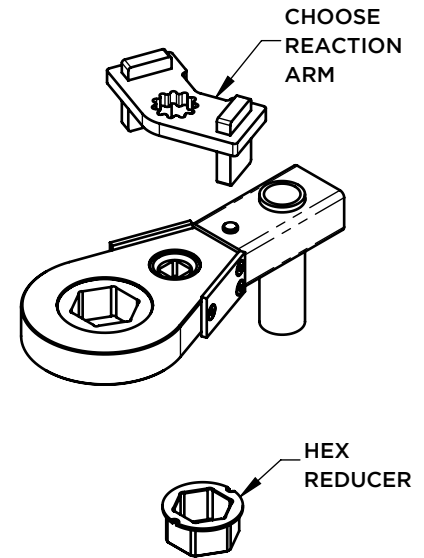
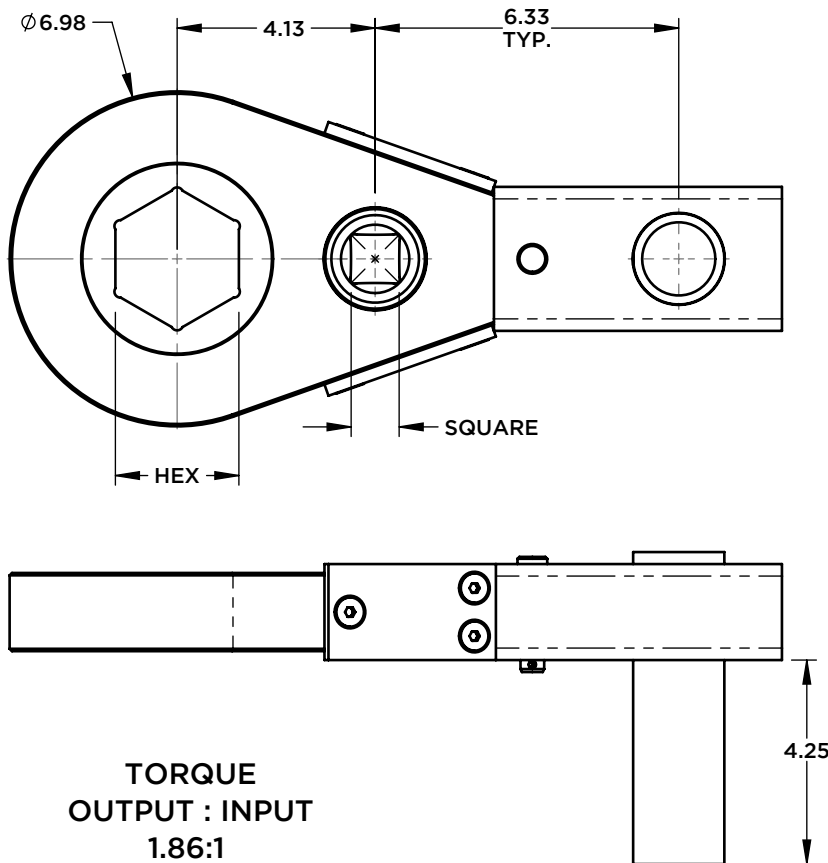


HEAT EXCHANGER OFFSETS



PART NUMBER	MAX TORQUE OUTPUT	TOOL FAMILY	SQUARE	HEX
15640	2610 ft.lb	800NG SR4	3/4"	36mm
24404	2610 ft.lb	10GX-ORDER 16920	3/4"	55mm
14760	2610 ft.lb	25GX	1.0"	60mm
18810	2950 ft.lb	30DX SPLINED	1.0"	65mm
22541	2610 ft.lb	CHOOSE REACTION ARM	1.0"	65mm
23119*	2610 ft.lb		1.0"	2.75in
16550	2610 ft.lb		1.0"	80mm

REACTION ARM OPTIONS		
16920	10GX	SR11
23120	15DX	SR16
24611	25GX	SR2
18810	1800NG	SP3
HEX REDUCERS		
OFFSET	INSERT	SIZE
15640	15636	24mm
14760	24409	55mm
24404	14766	60mm

*21.7" SQUARE DRIVE TO POST

27690A 10/12/2017

WWW.RADTORQUE.COM



NEW WORLD TECHNOLOGIES INC

30580 PROGRESSIVE WAY | ABBOTSFORD, BC V2T 6Z2 | CANADA
1.800.983.0044 | FAX 604.852.0269 | INFO@RADTORQUE.COM