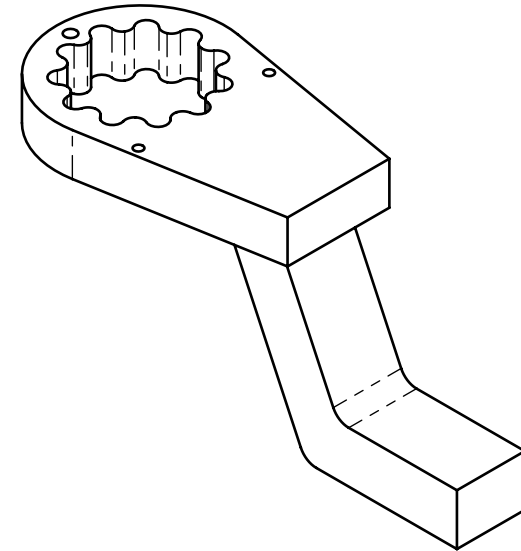
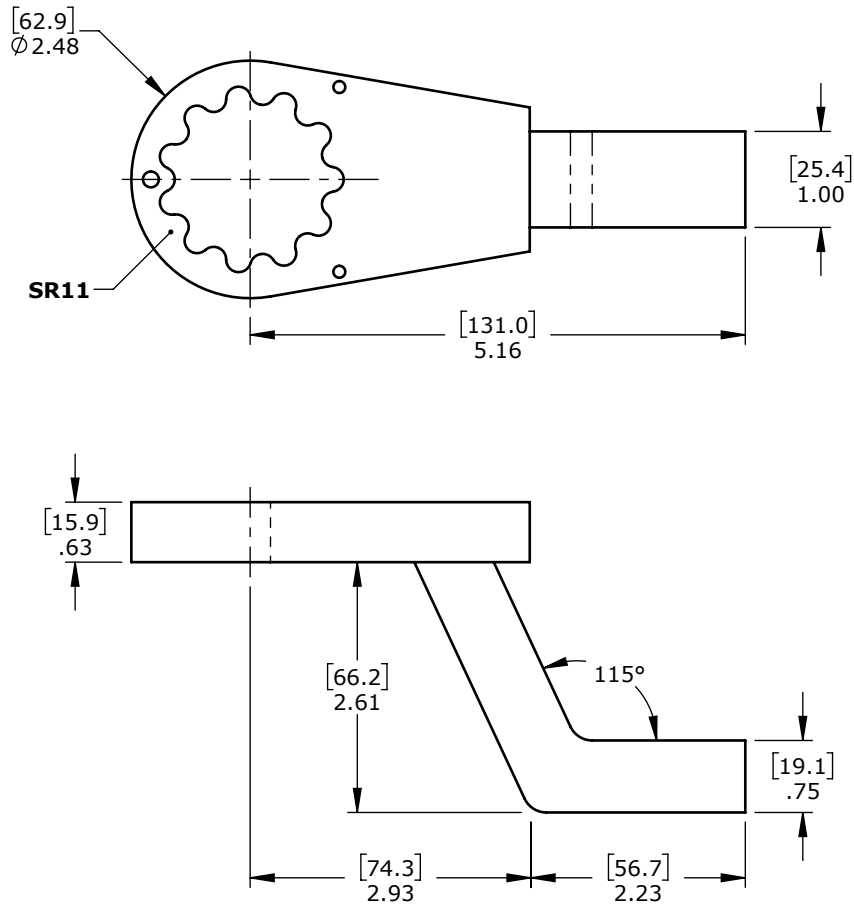




Product name: **Standard Angled SR11 Reaction Arm**
Product number: **17235**

REV: 11-2024

All dimensions are in Inches [Millimeters]



Suitable for: 7GX, 10GX-M, 10GX(-2), 14GX-M(-2), B-RAD 500, B-RAD 700-M, B-RAD 1000(-2), B-RAD 1400-M(-2), V-RAD 1000, V-RAD 1400-M, E-RAD BLU 700, E-RAD BLU 950-M

DISCLAIMER: The data and illustrations in this document are accurate to the best of the company's knowledge. Information is subject to change without prior notice. For critical information, please verify its accuracy by contacting RAD Torque Systems. Unauthorized reproduction and distribution of this content are strictly prohibited.