

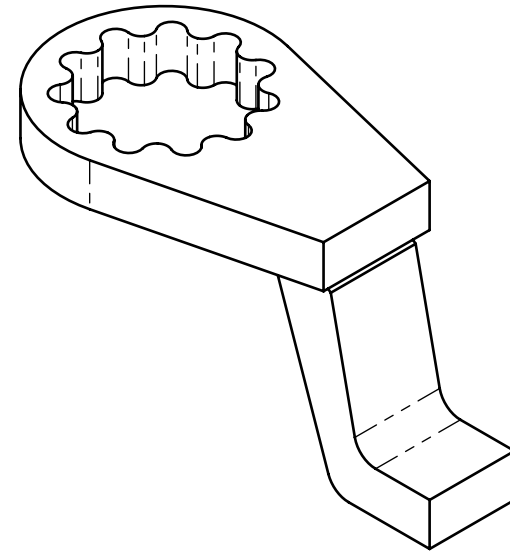
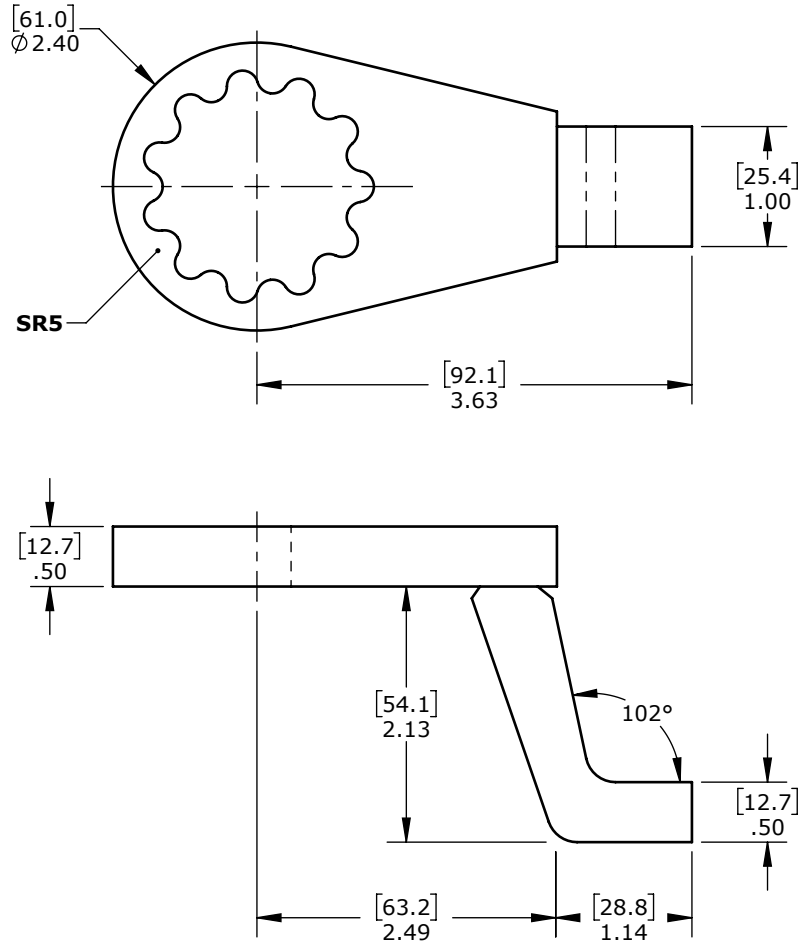


Product name:
Product number:

Standard Angled SR5 Reaction Arm
10686

REV: 08-2024

All dimensions are in Inches [Millimeters]



Suitable for: 350SL(-2), 475SL-M(-2), B-RAD 200, B-RAD 275-M

DISCLAIMER: The data and illustrations in this document are accurate to the best of the company's knowledge. Information is subject to change without prior notice. For critical information, please verify its accuracy by contacting RAD Torque Systems. Unauthorized reproduction and distribution of this content are strictly prohibited.