

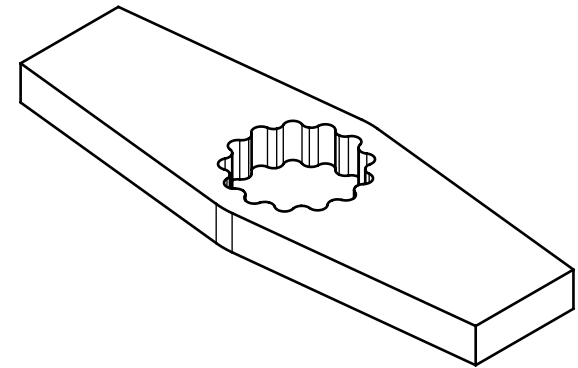
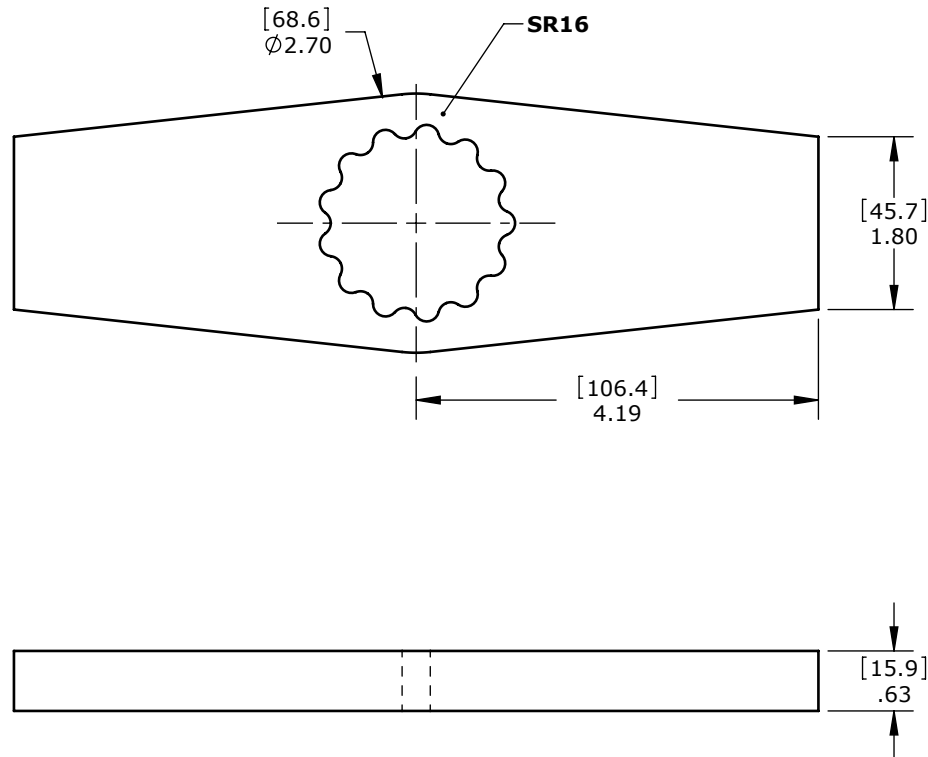


Product name:
Product number:

Double Ended SR16 Reaction Arm Blank
19093

REV: 09-2024

All dimensions are in Inches [Millimeters]



Suitable for: 15DX(-2), 20DX-M(-2), B-RAD 1500(-2), B-RAD 2000-M(-2), V-RAD 1500, V-RAD 2000-M, E-RAD BLU 1500, E-RAD BLU 2000-M

DISCLAIMER: The data and illustrations in this document are accurate to the best of the company's knowledge. Information is subject to change without prior notice. For critical information, please verify its accuracy by contacting RAD Torque Systems. Unauthorized reproduction and distribution of this content are strictly prohibited.