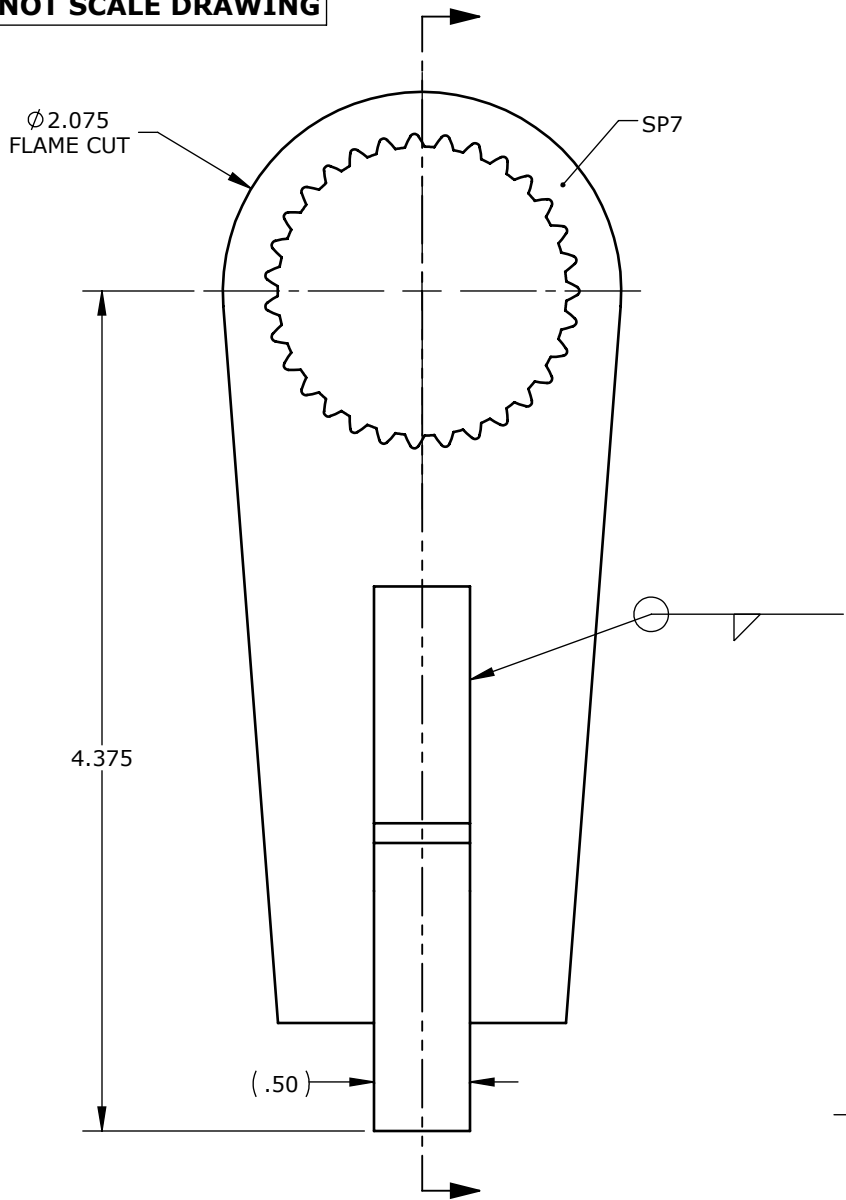


DO NOT SCALE DRAWING



ITEM NO.	PART NUMBER	DESCRIPTION	QTY.
1	13773C	BLANK 3.81 CE .75 SP7	1
2	10017C	7GX-R PADDLE	1

NOTES:
1. FINISH: YELLOW CHROMATE DIP

RELEASED FOR FABRICATION
ENGINEERING K.T. DATE 15.06.03

REV.	DESCRIPTION	ENG.	E.C.O.	YY.MM.DD
E	REDRAWN IN SOLIDWORKS, FINISH WAS POWDERCOAT	K.T.		15.06.03

UNLESS OTHERWISE SPECIFIED DIMENSIONS ARE IN INCHES.

TOLERANCES AND SURFACE FINISH:

DECIMAL	LINEAR	ANGULAR	T.I.R.	POSITION	FINISH
.xxxx	±.002	±.05°	.002	Ø.002	32RA
.xxx	±.005	±.10°	.005	Ø.005	63RA
.xx	±.010	±.25°	.010	Ø.010	125RA
.x	±.020	±.50°	.020	Ø.020	250RA
.	±.063	±1.0°	.063	Ø.063	500RA

BREAK EDGES, UNLESS NOTED .016±.003 x 45°
FILLETS, UNLESS NOTED R.010±.003

C.A.D. SCALE 1:1		
MATERIAL T1		
WEIGHT		
DRAWN	NAME	YY.MM.DD
ENG. CHKD	P.D.	12.04.05
Q.A. CHKD	A.M.	
MFG. CHKD	P.M.	
ENG. APPD	D.S.	

PROPRIETARY AND CONFIDENTIAL

THE INFORMATION CONTAINED HEREIN IS THE CONFIDENTIAL PROPERTY OF NEW WORLD TECHNOLOGIES. ANY REPRODUCTION WITHOUT PRIOR WRITTEN CONSENT FROM NEW WORLD TECHNOLOGIES IS STRICTLY PROHIBITED.

NEW WORLD TECHNOLOGIES INCORPORATED
ABBOTSFORD, BRITISH COLUMBIA, CANADA
Phone: 604-852-0405, Fax: 604-852-0269
Website: www.radtorque.com

NEW WORLD TECHNOLOGIES INCORPORATED

TITLE **7GX-R REACTION ARM**

Third Angle Projection

DWG. NO. **13512E** REV. SHT. 1/1 SZ. A